

## Alüminyum Kelebek Vana DN 76 / 80 / 100 / yağ ve vakum sızdırmazlık

*Aluminium Radiator Valve*

*DN 76 / 80 / 100 / Oil- and Vacuumtight*

DN 76



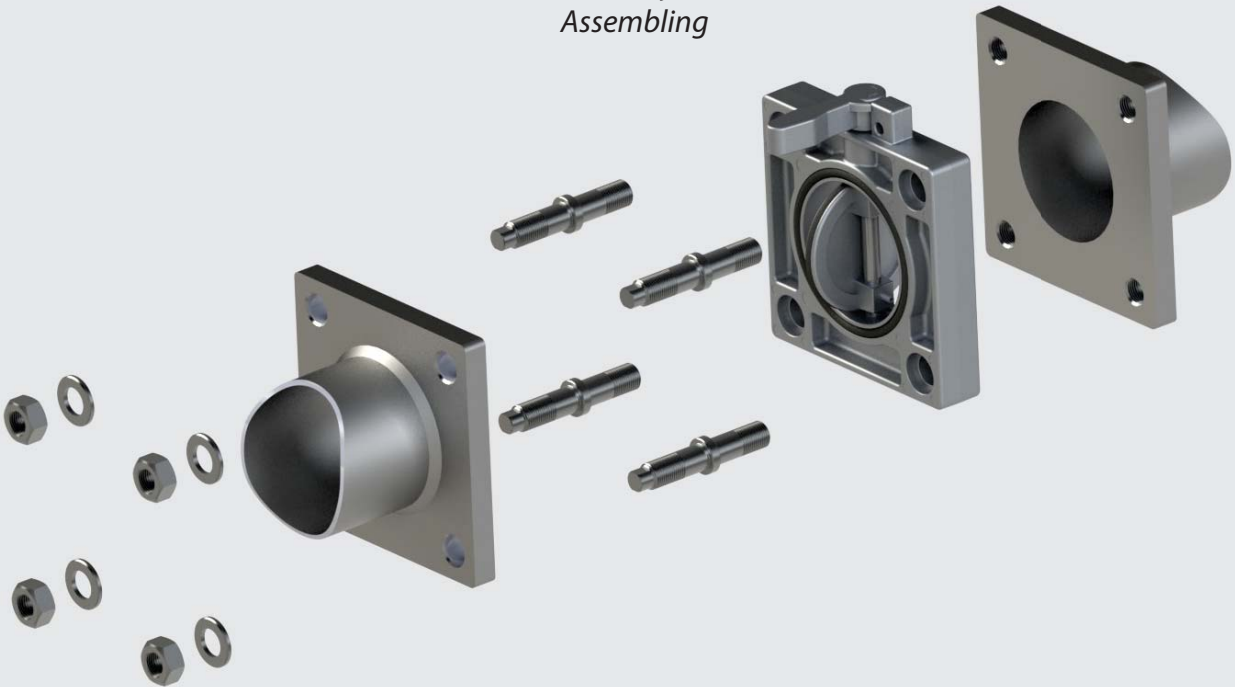
DN 80



DN 100



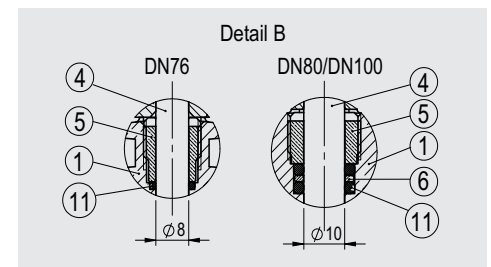
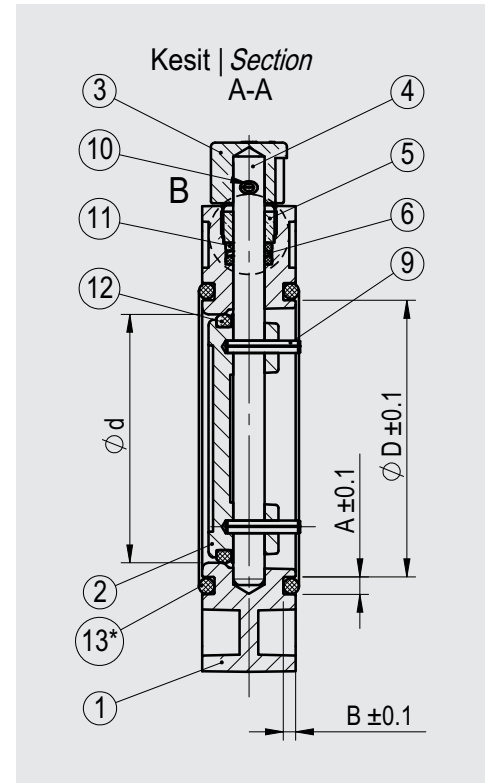
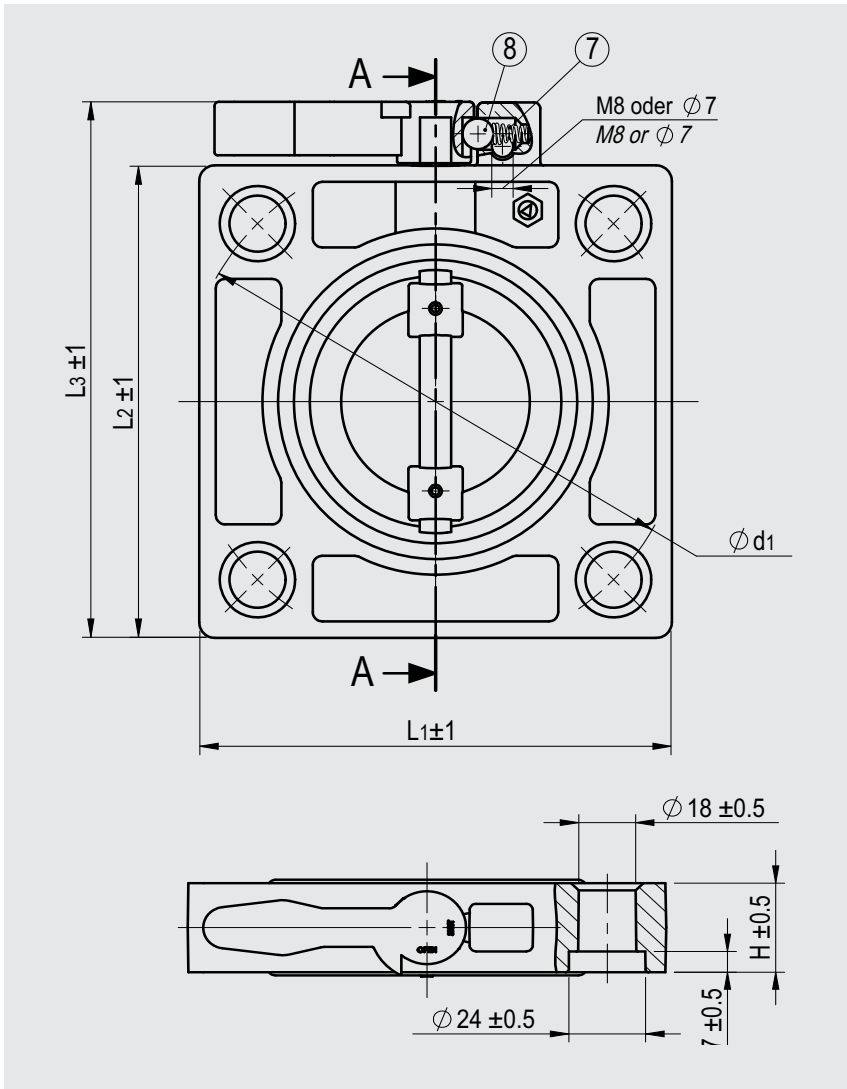
Montaj  
Assembling



## Alüminyum Kelebek Vana DN 76 / 80 / 100 / yağ ve vakum sızdırmazlık

Aluminium Radiator Valve

DN 76 / 80 / 100 / Oil- and Vacuumtight



Art.Nr. Code No.	DN	$\varnothing d$	$\varnothing d_1$	$L_1$	$L_2$	$L_3$	H	$\varnothing D$	A	B	Pos. 13*   Item 13*
M 430 076 000	76	76	125	125	125	145	24	84	5.6	3.9	84 x 5
M 430 080 000	80	80	160	150	150	170	30	89	5.6	3.9	90 x 5
M 430 080 100	80	80	160	150	150	170	30	99	5.6	3.9	100 x 5.33
M 430 080 200	80	80	160	150	150	170	30	94.2	5.6	3.9	95 x 5
M 430 100 000	100	102	170	150	150	170	32	123.5	5.6	3.9	123.19 x

## Alüminyum Kelebek Vana DN 76 / 80 / 100 / yağ ve vakum sızdırmazlık

### Aluminium Radiator Valve

### DN 76 / 80 / 100 / Oil- and Vacuumtight

Pos.   Item	Tanım   Descriptions	Notlar   Remarks	Miktar   Q'ty		
			DN76	DN80	DN100
1	Flanş   flange	G-AISI12Cu	1	1	1
2	Kelebek   clap	G-AISI12Cu	1	1	1
3	Kol   handle	G-AISI12Cu	1	1	1
4	Saplama   spindle	X8CrNi18-9 (1.4305)   AISI 303	1	1	1
5	Baskı mekanizması ve somun   thrust screw	CuZn39Pb3 (CW614N)	1	1	1
6	Pirinç pul   washer	CuZn39Pb3 (CW614N)	-	1	1
7	Yay   helical spring	X10CrNi18-8 (1.4310)   AISI 301	1	1	1
8	Misket   ball	X20Cr13 (1.4021)   AISI 420	1	1	1
9	Yarıklı pim   dowel pin	X10CrNi18-8 (1.4310)   AISI 301	2	2	2
10	Yarıklı pim   dowel pin	X10CrNi18-8 (1.4310)   AISI 301	1	1	1
11	O-Ring   O-ring	NBR	1	-	-
		Viton (FKM)	-	2	2
12	O-Ring   O-ring	NBR / Viton (FKM)	1	1	1
*Talep üzerine   upon request					
13*	O-Ring   O-ring	NBR / Viton (FKM)	2	2	2
14*	Saplama   bolt	X8CrNi18-9 (1.4305)   AISI 303	4	4	4

