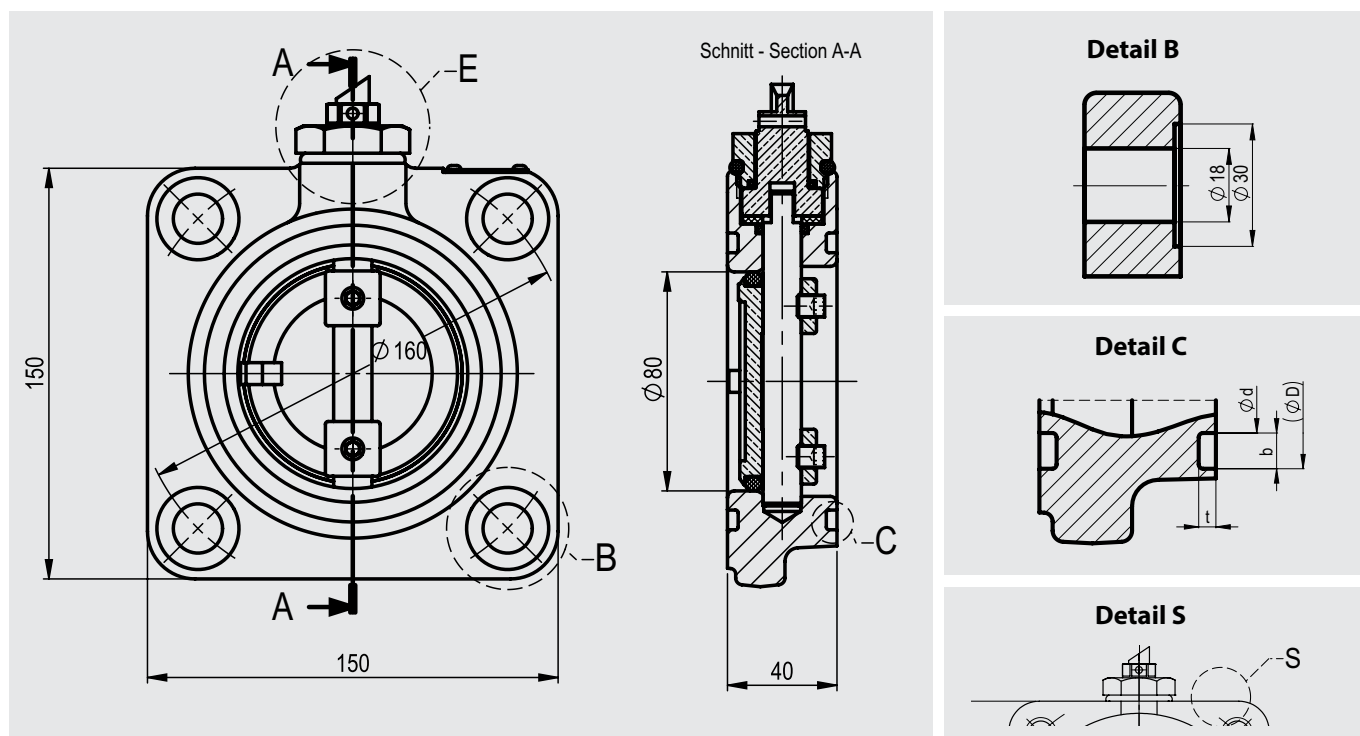


Ordering options

Radiator valve / wafer type flange / soft sealed / type B OR



1. Body material

- Standard: S355J2G3 (1.0570)
- Stainless steel: X2CrNiMo17-12-2 (1.4404) / AISI 316L

3. Setting device (Detail E)

2. Groove options (Detail C) / d x b x t / D

- Without / flat surface
- 100 x 8,1 x 3,9 mm / 116,2 mm
- 89 x 5,6 x 3,9 mm / 100,2 mm
- 100 x 7,2 x 3,6 mm / 114,4 mm
- 96 x 9 x 4 mm / 114 mm
- x x mm / mm

Standard

Locking cap

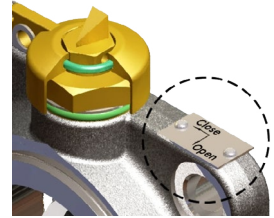


4. Coating

- Without
- SOLIDLINE C5-M
Color: RAL

6. Position indicator (Detail S)

- Position indicator; A4 Stainless steel
(mandatorily for type B OR)



5. Range of temperature

- Standard: -25 bis + 115 °C
- Low temperature: -55 bis + 175 °C

7. Connection parts

- Without
- 4 x Stud bolts M16 x 105 (1.4404)

Upon request

For special designs, please contact us directly by using the text field below.

For further detailed information about our wafer type radiator click [here!](#)

