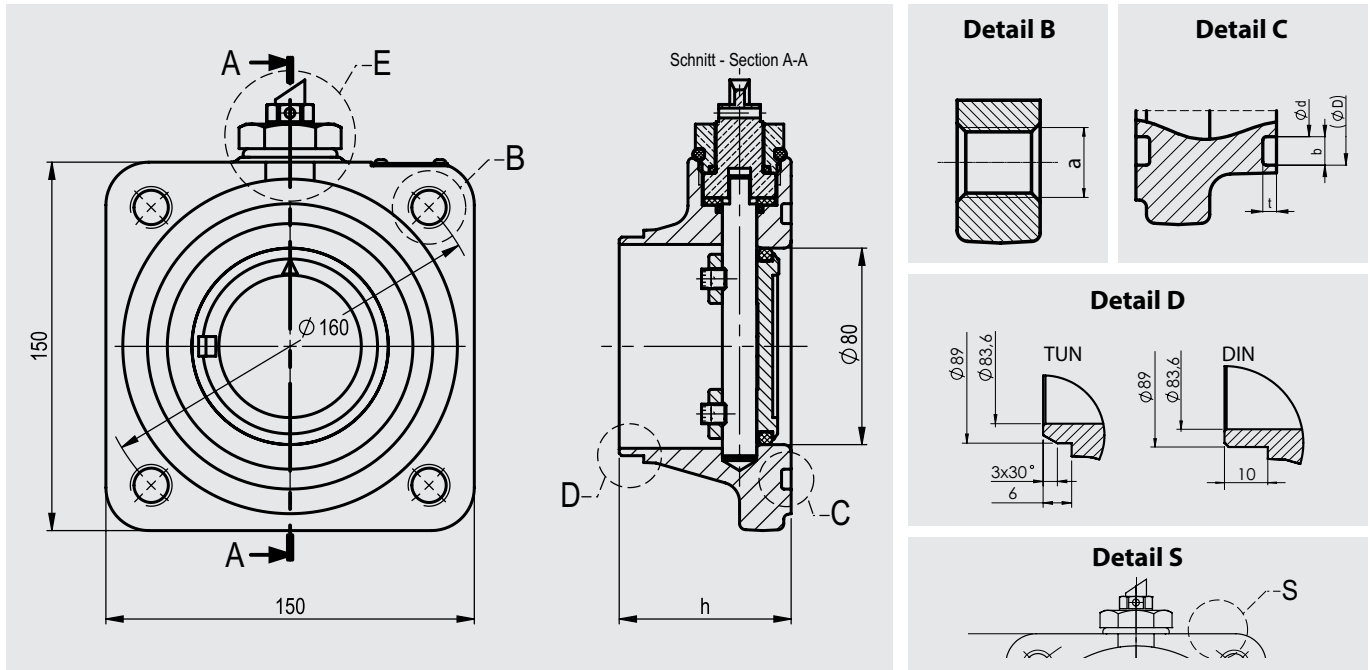


# Ordering options

Radiator valve / welding neck flange / soft sealed / type A OR



## 1. Body material

- Standard: S355J2G3 (1.0570)
- Stainless steel: X2CrNiMo17-12-2 (1.4404) / AISI 316L

## 2. Groove options (Detail C) / d x b x t / D

- Without / flat surface
- 100 x 8,1 x 3,9 mm / 116,2 mm
- 89 x 5,6 x 3,9 mm / 100,2 mm
- 100 x 7,2 x 3,6 mm / 114,4 mm
- 96 x 9 x 4 mm / 114 mm
- x x mm / mm

## 3. Bore (Detail B)

- a= M16 thread (A1/A2T-80)
- a= Ø 18 mm (A1/A2H-80)

## 4. Welding neck (Detail D)

- Welding neck DIN
- Welding neck TUN

## 5. Height (h)

- H = 70 mm (EN 50216-8 Typ A1T/H-80)
- H = 85 mm\* (EN 50216-8 Typ A2T/H-80)

\*only available with welding neck TUN!

## 6. Setting device (Detail E)



## 7. Position indicator (Detail S)

- Position indicator; A4 Stainless steel (mandatorily for type A OR)

## 8. Range of temperature

- Standard: -25 bis + 115 °C
- Low temperature: -55 bis + 175 °C

## Upon request

Depending on the requirements, we also offer special designs.

For customer-specific designs, please contact us directly by using the text field below.

For further detailed information about our welding neck flange radiator valves click **here!**