

# Off Load Tap Changer

## Type Overview

*General Specification, Selection Tables*

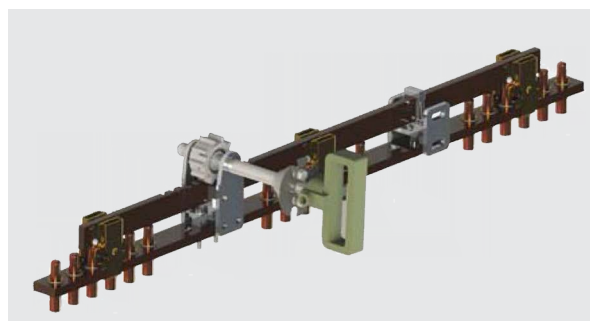
Type	MHR
Voltage (kV)	20 - 30
Current (A)	10 - 30 - 63
Number of positions	2 - 7
Connection	Delta, Star / Series-parallel / Common output per phase



Type	MHM
Voltage (kV)	20 - 30
Current (A)	30 - 63 - 120
Number of positions	2 - 11
Connection	Delta / Star / Series-parallel



Type	MHZ
Voltage (kV)	10 - 15 - 20 - 30
Current (A)	30 - 63 - 120
Number of positions	2 - 11
Connection	Delta / Star / Series-parallel



# Off Load Tap Changer Type Overview

*General Specification, Selection Tables*

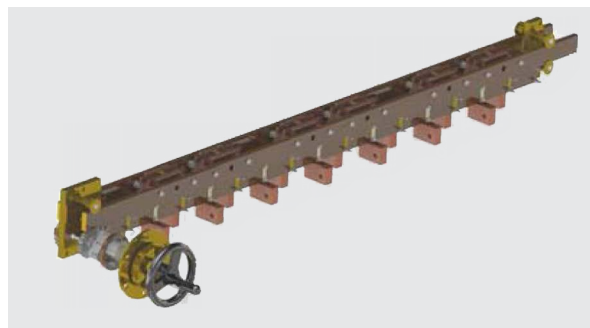
Type	MHF II
Voltage (kV)	20 - 30 - 60
Current (A)	150 - 400
Number of positions	2 - 11
Connection	Delta, Star / Series-parallel / Common output per phase



Type	MHF III
Voltage (kV)	20 - 30
Current (A)	400 - 800
Number of positions	2 - 6
Connection	Delta, Star / Series-parallel / Common output per phase

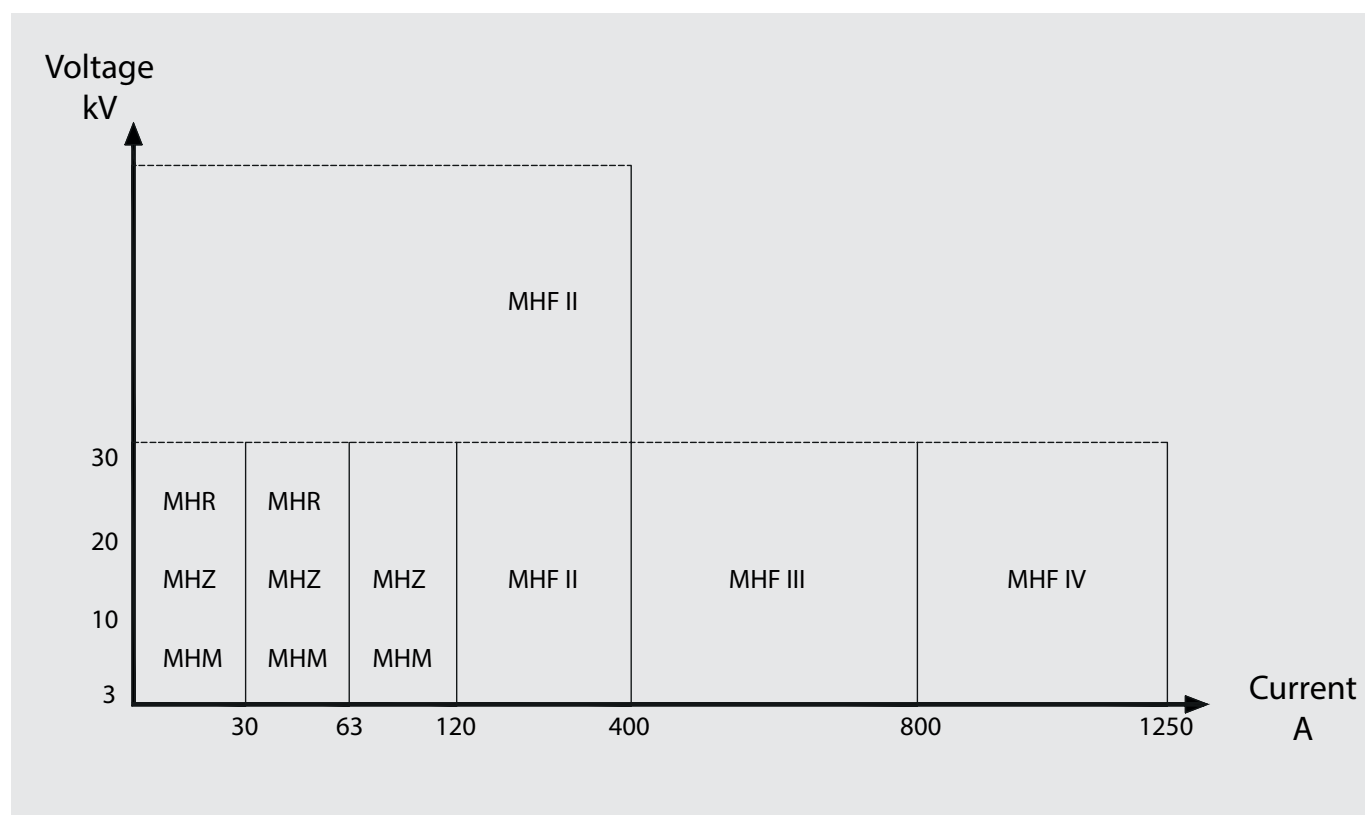


Type	MHF IV
Voltage (kV)	20 - 30
Current (A)	800 - 1250
Number of positions	2 - 5
Connection	Delta / Star / Series-parallel



# Off Load Tap Changer Type Overview

General Specification and Selection Table



Voltage Class	Power Frequency kV rms	Lightning Impulse kV peak	Voltage Class	B.I.L kV
3 - 10	28	75	15	95
20	50	125	20	125
30	70	170	30	170
60	140	325		